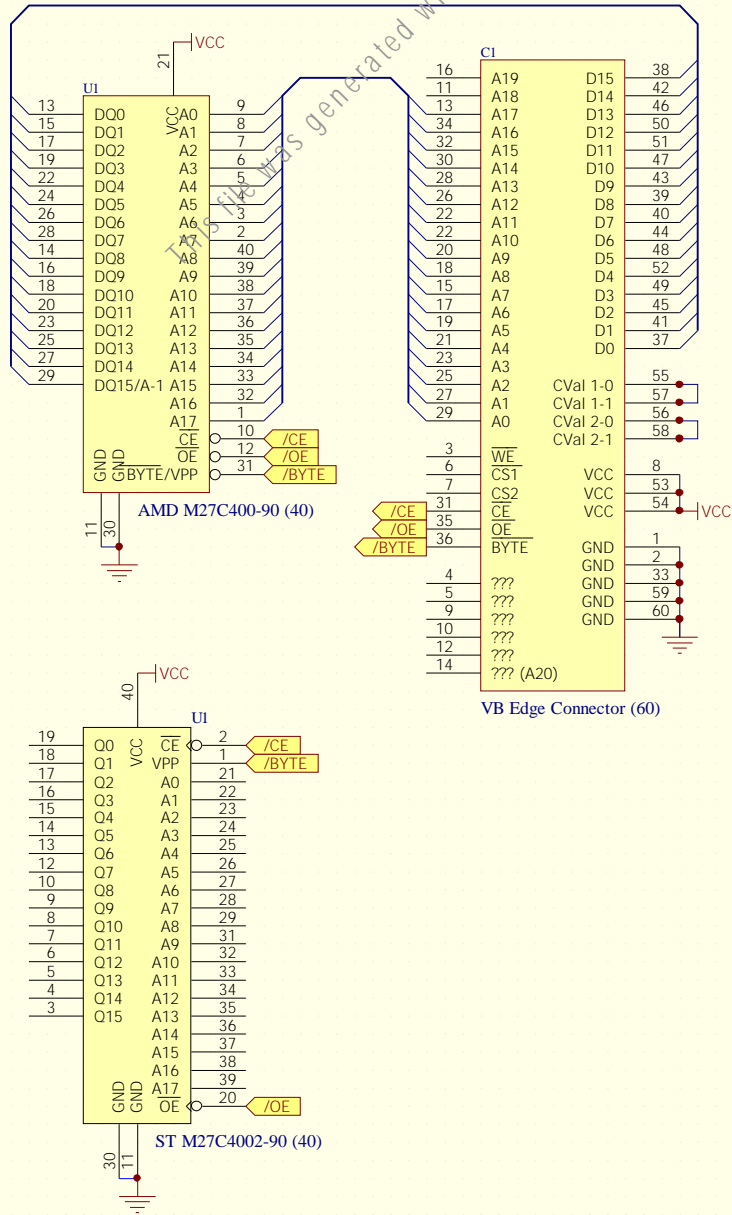


256KB x 16 bit Reprogramable Cartridge

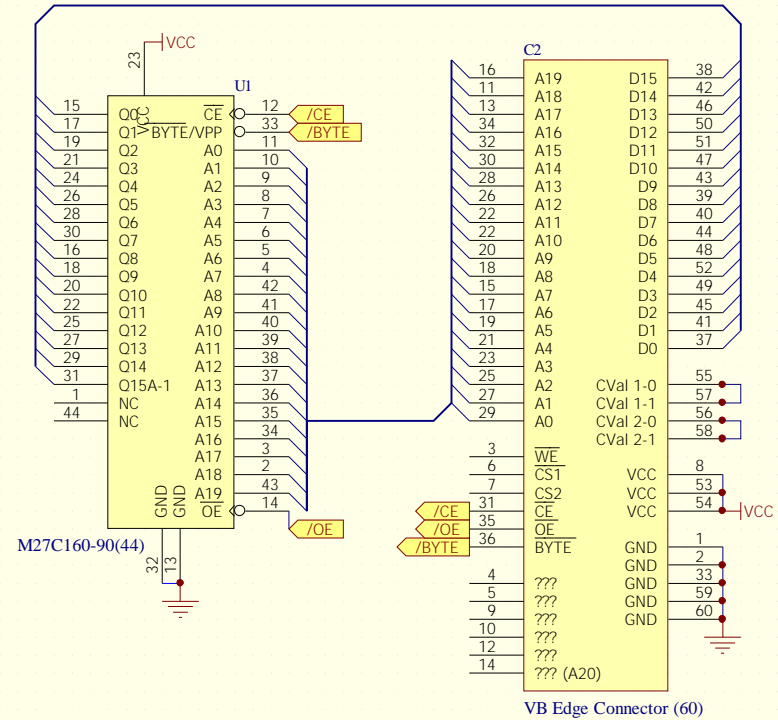
Connecting a 40 pin EPROM to the VB edge connector
 You can substitute the AMD 27C400 with an ST 27C4002



1024KB x 16 bit Reprogramable Cartridge

Connecting a 44 pin EPROM to the VB edge connector

You can substitute a 42 pin device in place of the 44 pin one, if you connect it to the lower 42 pins of the 44 pin socket.
 You can substitute a 27C800, 27C400, 27C200, 29W160, 29W800, 29W400, or 29W200 for the 27C1600 EPROM



Title		
Size Letter	Number	Revision
Date: 30-Aug-2000	Sheet of	
File: C:\WINNT\Profiles\david\Desktop\tuckervbdev\vb_eprom\VB_EPROM.dcb		